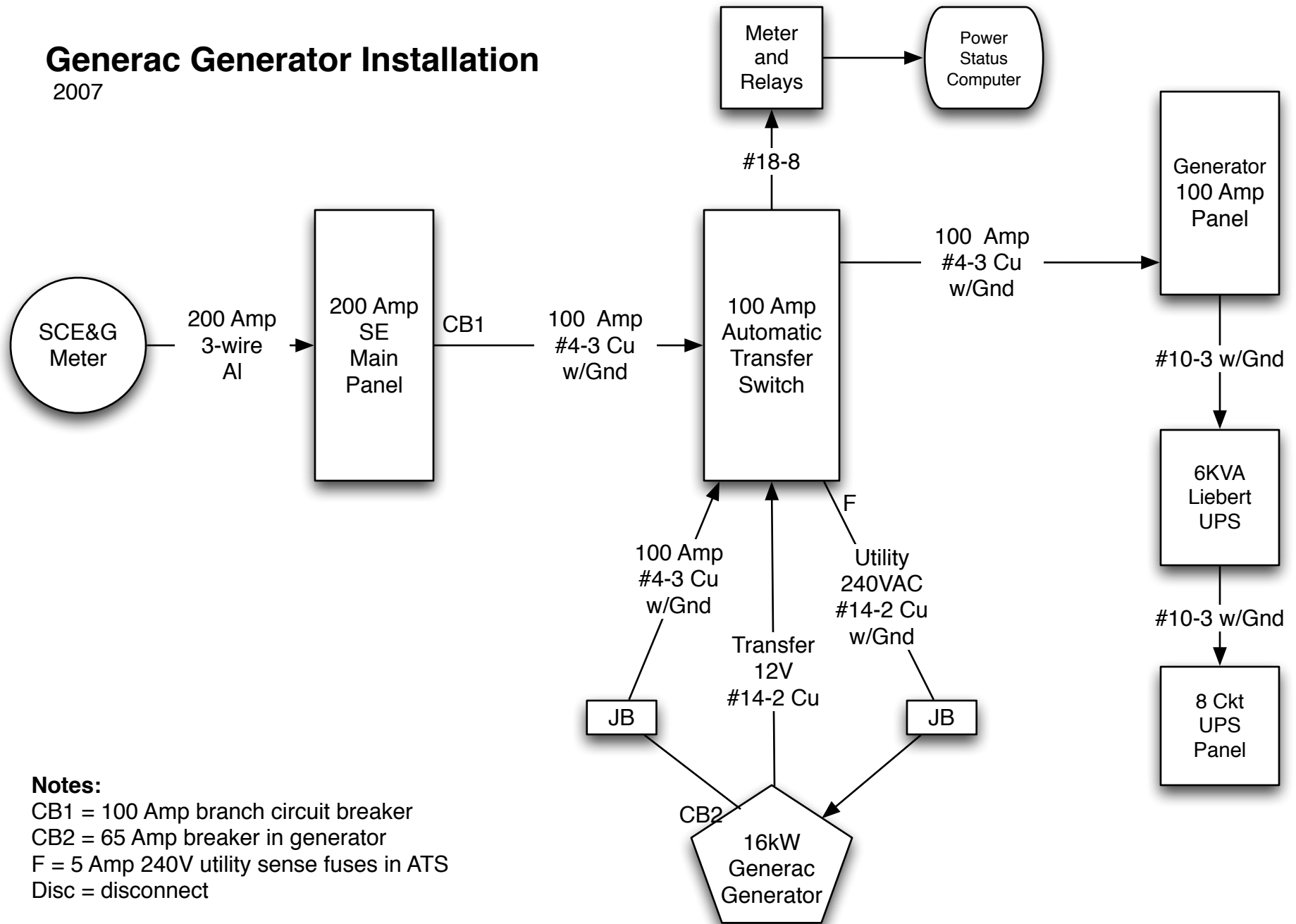


Generac Generator Installation

2007



Notes:

- CB1 = 100 Amp branch circuit breaker
- CB2 = 65 Amp breaker in generator
- F = 5 Amp 240V utility sense fuses in ATS
- Disc = disconnect